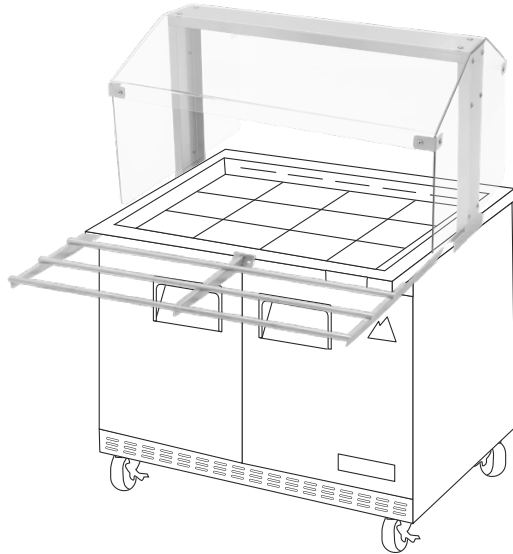


Sneeze Guard and Tray Slide

OPEN TOP PREP. TABLE OPTIONAL ADD-ON



Elevate your culinary game with our Sneeze Guard and Tray Slide accessories. With these additions, you can effortlessly convert your trusty Everest Open Top Prep Table into an all-in-one Buffet and Self-Serve Condiment Station.

FEATURES

Easy Upgrade

- Sneeze guards and tray slides are designed for quick, seamless installation.

Safety First

- Crystal clear acrylic sneeze guards keep your food and your customers safe.

Smooth Operator

- Smooth Operator: Stainless steel tray slides keep the customer self-serve line flowing smoothly.



TYPE	PART#	LENGTH	FITS
SNEEZE GUARDS	SG48	48	EOTP2
SNEEZE GUARDS	SG60	60	EOTPW2
SNEEZE GUARDS	SG72	72	EOTP3
TRAY SLIDES	TS36	36	EOTPS2
TRAY SLIDES	TS48	48	EOTP2
TRAY SLIDES	TS60	60	EOTPW2
TRAY SLIDES	TS72	72	EOTP3



Specifications subject to change without notice.

Product dimensions are for general purposes and not absolute value. Product capacity (P) is calculated based on standard industry figures. Slight variations may exist. If dimensions and capacity are critical, please contact Everest Refrigeration.