



ETBR1-LAB

Cabinet Construction

- Heavy duty stainless steel interior/exterior with rounded corners for a hazard-free workspace.
- Open spaced interior with no walls between compartments.
- Galvanized steel top, bottom and rear.
- 2.5" thick high density polyurethane insulation.
- Deeper cabinet interior for more storage options.
- Four 5" swivel casters with locks on front set.
- Leg stabilizers standard for all models (does not apply to ETBR1-LAB).

Refrigeration System

- Bottom mounted, self-contained and fully detachable Blizzard R290 condensing unit uses environmentally friendly, EPA-compliant R290 refrigerant with zero (0) Ozone Depletion Potential (ODP) and three (3) Global Warming Potential (GWP). Blizzard R290 is easily replaceable and requires no on-site brazing.
- Inverter compressor offer consistent cooling, accurate temperature control, and up to 20% less energy usage.
- Electronically commutated (ECM) fan motors achieve rapid cooling with less energy consumption.
- Glycol-filled temperature probe ensures accurate temperature readings.
- Full-length air duct and airflow guard ensure optimal cold air circulation.
- Air circulation guard keeps floor vents from obstruction.
- Time-initiated and temperature-terminated auto defrost cycle for seamless operation.
- Large capacity, corrosion-resistant condenser and evaporator coils.
- Self-maintaining, energy-efficient condensate drain pan requires no external drains or electric heaters.
- High performance, auto-reverse condenser fan motor supports compressor ventilation and condenser coil cleaning.
- Pressure relief devices allow rapid cabinet re-entry.
- Pre-wired and ready to plug, 115V/60Hz/1Ph, NEMA 5-15P.



EBWR1-LAB



EBGWR1-LAB

Lighting

- Energy efficient silicone coated and shatter-proof LED lighting provides bright, high color illumination with low heat output.

Doors

- Pre-installed electronic keypad lock with auto-lock feature.
- Stainless steel or double glass pane doors.
- 2.5" thick high density polyurethane insulation.
- Frame heaters prevent exterior moisture build up.
- Self-closing with adjustable torsion system for a positive seal.
- Snap-in magnetic gasket for ease of cleaning.
- High strength, recessed handles.
- Field reversible. (does not apply to ETBR1-LAB).

Shelving

- Two epoxy coated, steel wire shelves for model ETBR1-LAB.
- Three epoxy coated, steel wire shelves per section (for models EBWR1-LAB and EBR2-LAB).
- Four epoxy coated, steel wire shelves per section (for models EBGWR1-LAB and EBGR2-LAB).
- Height adjustable stainless steel clips.

Temperature Control

- Multi-function digital controller with easy to read LED display.
- Factory preset temperature, 35°F. Temp-set range from 32°F to 54°F.
- Audible overheat protection alarm for compressor and condenser coil.

Options

- WIFI Data Logger.
- Additional shelving.
- 3" swivel casters with locks.
- 3.5"-6" height-adjustable and interchangeable legs.
- Left hinged door.




EBR2-LAB



EBGR2-LAB

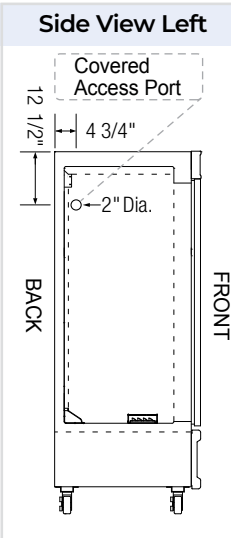
↔ = Interior Dimensions ↔ = Exterior Dimensions

ABS Legs

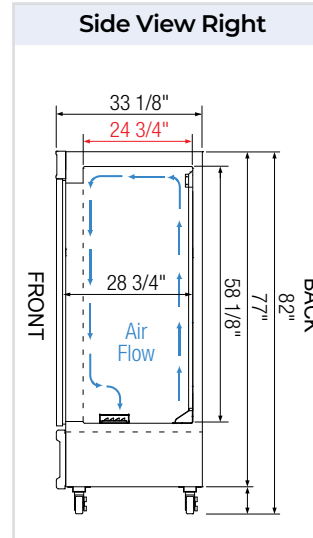


Two additional front adjustable stainless steel clad ABS legs provide extra stability when opening and closing door. (does not apply to ETBR1-LAB)

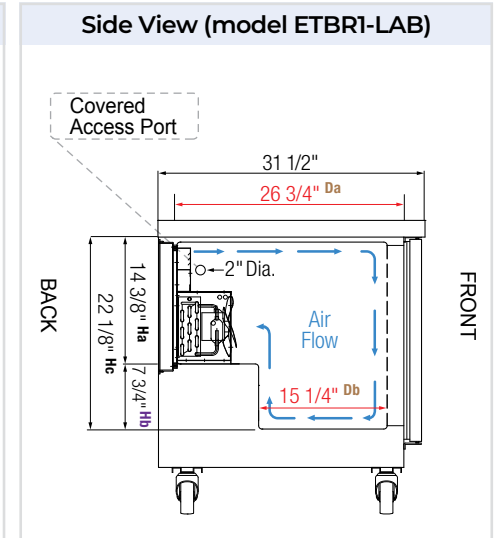
Side View Left




Side View Right




Side View (model ETBR1-LAB)



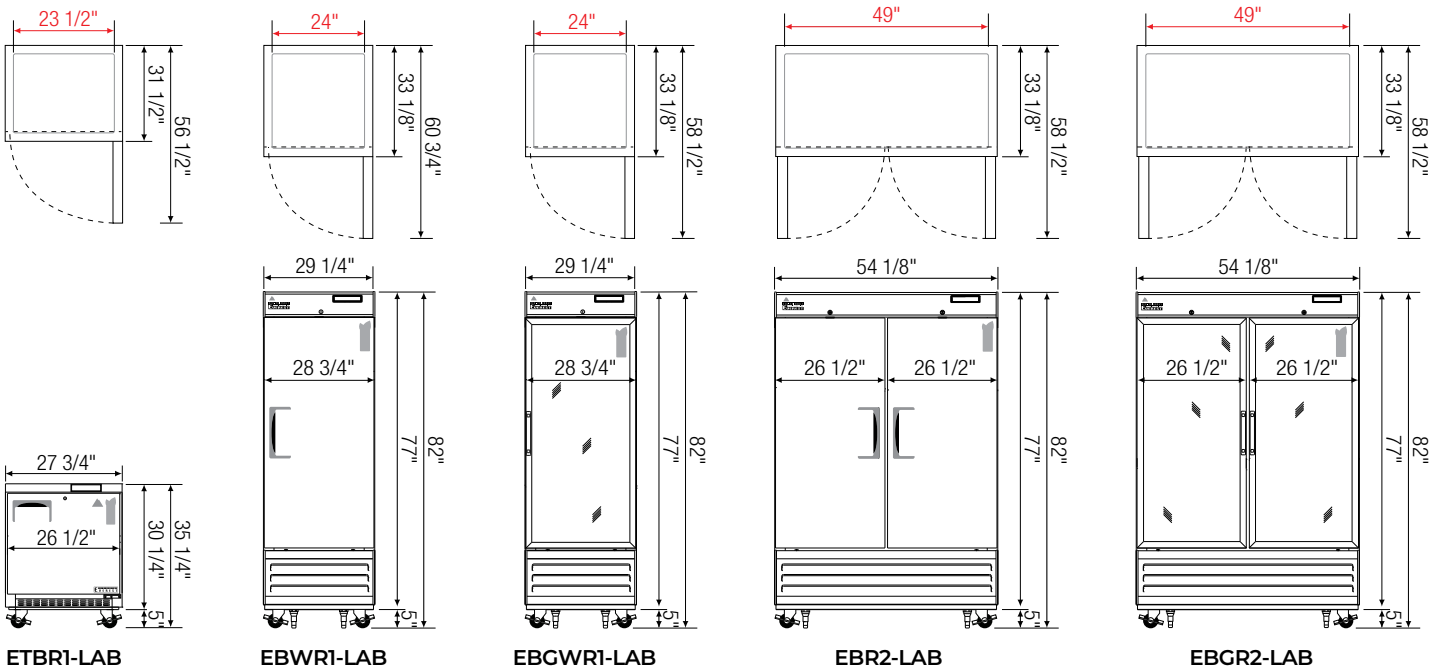
Vacuum Relief



The vacuum relief valve equalizes cabinet pressure for rapid door re-entry.



Equipped with 9 ft long NEMA 5-15P plug.



| Model | Ref/ Frz/ Dual | # of Doors | Capacity [†] (Cu. Ft.) | HP | BTU/HR [†] | Refrigerant | # of Shelves | Power (V-Hz-Ph) | Amps | Crated Weight (LBS) | Exterior Dimensions (Inches) | | |
|------------|----------------------|---------------|------------------------------------|-----|---------------------|-------------|-----------------|--------------------|------|---------------------------|---------------------------------|--------|--------|
| | | | | | | | | | | | L | D | H* |
| ETBR1-LAB | Ref | 1 | 7.5 | 1/3 | 869 | R290 | 2 | 115-60-1 | 1.1 | 184 | 27 3/4 | 31 1/2 | 30 1/4 |
| EBWR1-LAB | Ref | 1 | 23 | 1/3 | 1,116 | R290 | 3 | 115-60-1 | 1.2 | 341 | 29 1/4 | 33 1/8 | 77 |
| EBGWR1-LAB | Ref | 1 | 23 | 1/3 | 1,116 | R290 | 4 | 115-60-1 | 1.4 | 625 | 29 1/4 | 33 1/8 | 77 |
| EBR2-LAB | Ref | 2 | 33 | 1/3 | 1,116 | R290 | 6 | 115-60-1 | 1.8 | 520 | 54 1/8 | 33 1/8 | 77 |
| EBGR2-LAB | Ref | 2 | 33 | 1/3 | 1,116 | R290 | 8 | 115-60-1 | 2.1 | 596 | 54 1/8 | 33 1/8 | 77 |

* Height does not include 5" for casters.

† Based on evaporating temperature of 23°F (-5°C) & condensing temperature of 131°F (55°C) & 3000 RPM.
The numbers are subject to change due to the nature of inverter compressors.

Specifications subject to change without notice.

Product dimensions are for general purposes and not absolute value. Product capacity (†) is calculated based on standard industry figures. Slight variations may exist. If dimensions and capacity are critical, please contact Everest Refrigeration.

Ref = Refrigerator