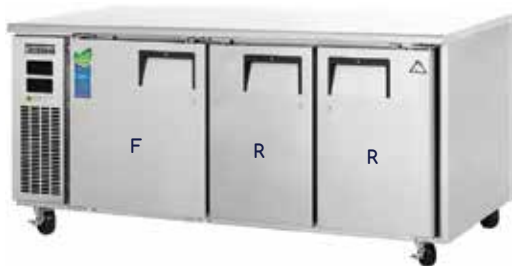


Side Mount Undercounter Dual Temps – ET Series

Side Mounted Condensing Unit



ETRF2



ETRF3

Cabinet Construction

- Heavy duty stainless steel interior / exterior with rounded corners for a hazard-free workspace.
- Insulated interior wall between refrigerator and freezer compartments.
- 16 gauge, high quality stainless steel worktop.
- Galvanized steel bottom and rear.
- 2.5" thick high density polyurethane insulation.
- Four 5" swivel casters with locks on front set.

Refrigeration System

- Side mounted, self-contained and fully detachable Blizzard R290 condensing unit uses environmentally friendly, EPA-compliant R290 refrigerant with zero (0) Ozone Depletion Potential (ODP) and three (3) Global Warming Potential (GWP).
- Electronically commutated (ECM) fan motors achieve rapid cooling with less energy consumption.
- Time-initiated and temperature-terminated auto defrost heater for freezers. Air defrost for refrigerators.
- Large capacity, corrosion-resistant condenser and evaporator coils.
- Self-maintaining, energy-efficient condensate drain pan requires no external drains or electric heaters.
- High performance, auto-reverse condenser fan motor supports compressor ventilation and condenser coil cleaning.
- Pressure relief devices allow rapid cabinet re-entry.
- Pre-wired and ready to plug, 115V/60Hz/1Ph, NEMA 5-15P.

Lighting

- Energy efficient silicone coated and shatter-proof LED lighting provides bright, high color illumination with low heat output.

Doors

- Heavy duty stainless steel interior / exterior.
- 2.5" thick high density polyurethane insulation.
- Frame heaters prevent exterior moisture build up.
- Self-closing with adjustable torsion system for a positive seal.
- Snap-in magnetic gasket for ease of cleaning.
- High strength, recessed handles.
- Pre-installed locks keep your items safe from theft.

Shelving

- Two epoxy coated, steel wire shelves per section.
- Height adjustable stainless steel clips.

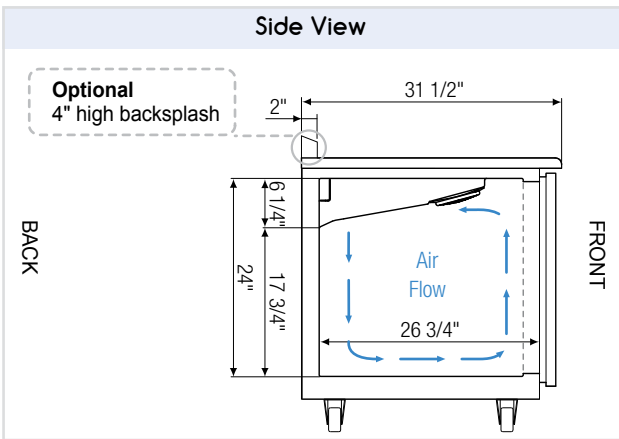
Temperature Control

- Multi-function digital controller with easy to read LED display.
- Factory preset temperature, 35°F for refrigerators and -4°F for freezers. Temp-set range from 33°F to 54°F for refrigerators and -10°F to 54°F for freezers.
- Audible overheat protection alarm for compressor and condenser coil.

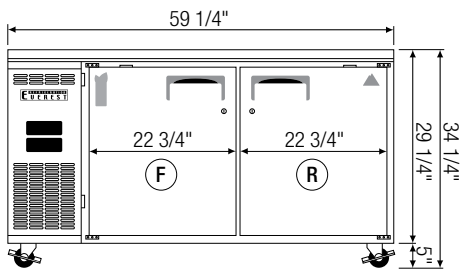
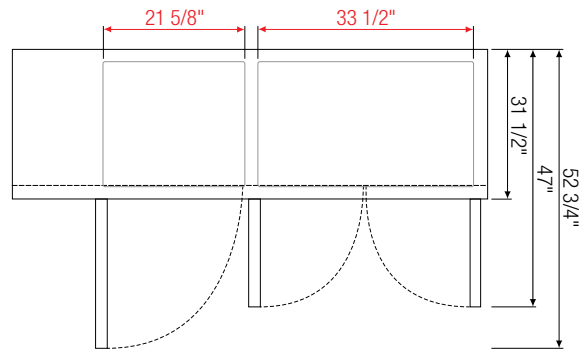
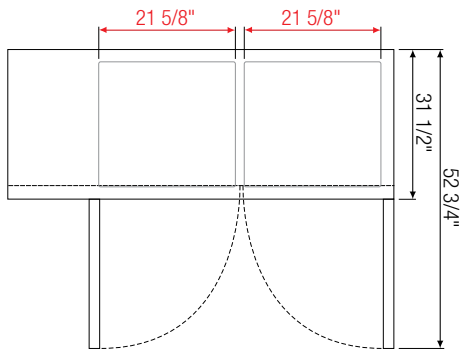
Options

- 4" high stainless steel backsplash for worktop application.
- NSF certified stainless steel double overshelf.
- Additional shelving.
- 3" swivel casters with locks.
- 3.5" – 6" height-adjustable and interchangeable legs.

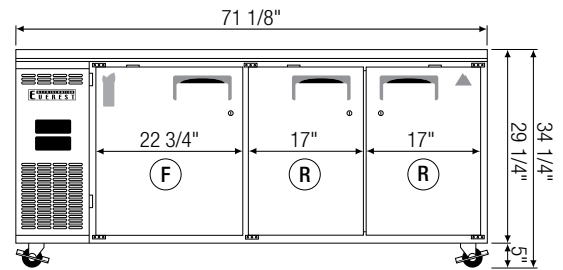
↔ = Interior Dimensions ↔ = Exterior Dimensions



Equipped with 9 ft long NEMA 5-15P plug.



ETRF2



ETRF3

| Model | Ref/ Frz/ Dual | # of Doors | Capacity (Cu. Ft.) † | HP | BTU/HR † | Refrigerant | # of Shelves | Power (V-Hz-Ph) | Amps | Crated Weight (LBS) | Exterior Dimensions (Inches) | | |
|-------|----------------------|---------------|-------------------------|-----|----------|-------------|-----------------|--------------------|------|---------------------------|---------------------------------|--------|--------|
| | | | | | | | | | | | L | D | H* |
| ETRF2 | Dual | 2 | 9 (R) 9 (F) | 1/2 | 1,670 | R290 | 4 | 115-60-1 | 5.2 | 316 | 59 1/4 | 31 1/2 | 29 1/4 |
| ETRF3 | Dual | 3 | 14 (R) 9 (F) | 1/2 | 1,670 | R290 | 6 | 115-60-1 | 5.2 | 356 | 71 1/8 | 31 1/2 | 29 1/4 |

* Height does not include 5" for casters.

(R) = Refrigerator | (F) = Freezer | Dual = Ref & Frz Combo

† Based on evaporating temperature of 23°F (-5°C) & condensing temperature of 131°F (55°C).

Specifications subject to change without notice.

Product dimensions are for general purposes and not absolute value. Product capacity (†) is calculated based on standard industry figures. Slight variations may exist. If dimensions and capacity are critical, please contact Everest Refrigeration.