

SIDE MOUNT UNDERCOUNTER FREEZERS

Side Mounted Condensing Unit

ET - Series • ETF1 • ETF1-24 • ETF2 • ETF2-24 • ETWF2 • ETF3



▲ ETF1



▲ ETF1-24



▲ ETF2



▲ ETF2-24



▲ ETWF2



▲ ETF3



Cabinet Construction

- Heavy duty stainless steel interior / exterior with rounded corners for a hazard-free workspace.
- Open spaced interior with no walls between compartments.
- 16 gauge, high quality stainless steel worktop.
- Galvanized steel bottom and rear.
- 2.5" thick high density polyurethane insulation.
- Four 5" swivel casters with locks on front set.

Refrigeration System

- Side mounted, self-contained and fully detachable Blizzard R290 condensing unit uses environmentally friendly, EPA-compliant R290 refrigerant with zero (0) Ozone Depletion Potential (ODP) and three (3) Global Warming Potential (GWP). Blizzard R290 is easily replaceable and requires no on-site brazing.
- Electronically commutated (ECM) fan motors achieve rapid cooling with less energy consumption.
- Full-length air duct system ensures optimal circulation of cold air.
- Time-initiated and temperature-terminated auto defrost cycle for seamless operation.
- Large capacity, corrosion-resistant condenser and evaporator coils.
- Self-maintaining, energy-efficient condensate drain pan requires no external drains or electric heaters.
- High performance, auto-reverse condenser fan motor supports compressor ventilation and condenser coil cleaning. Refer to owner's manual for full maintenance instructions.
- Pressure relief devices allow smooth access to cabinet interior when re-opening doors.
- Pre-wired and ready to plug, 115V/60Hz/1Ph, NEMA 5-15P.

Lighting

- Energy efficient silicone coated and shatter-proof LED lighting provides bright, high color illumination with low heat output.

Doors

- Heavy duty stainless steel interior / exterior.
- 2.5" thick high density polyurethane insulation.
- Frame heaters prevent exterior moisture build up.
- Self-closing with adjustable torsion system for a positive seal.
- Snap-in magnetic door gasket make cleaning and replacement an easy process.
- High strength, recessed door handles.
- Pre-installed door locks keep your items safe from theft.

Shelving

- Two epoxy coated, steel wire shelves per section.
- Height adjustable stainless steel clips.

Temperature Control

- Multi-function digital controller with easy to read LED display.
- Factory preset temperature, -4°F. Temperature setting range from -10°F to 54°F.
- R290 models include audible overheat protection alarm for compressor & condenser coil.

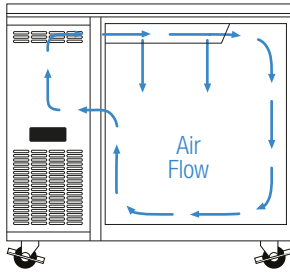
Options

- 4" high stainless steel backsplash for worktop application.
- Additional shelving.
- 3" swivel casters with locks.
- 3.5" – 6" height-adjustable and interchangeable legs.



Dimensions

Air Flow

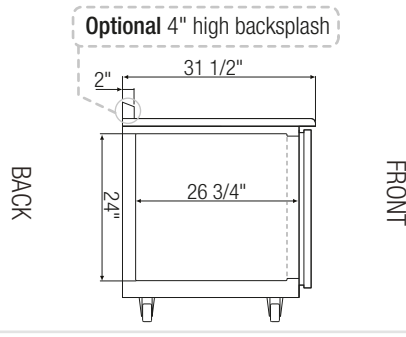


Front view of cabinet interior demonstrates air circulation from left to right.

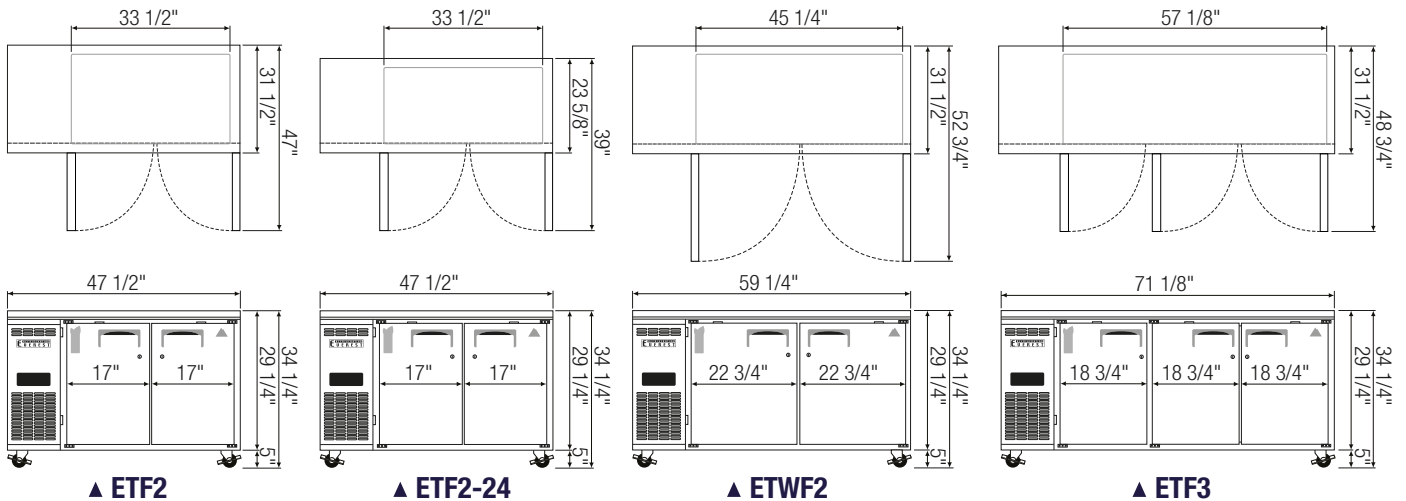
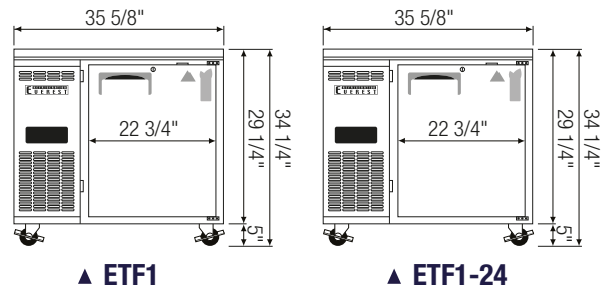
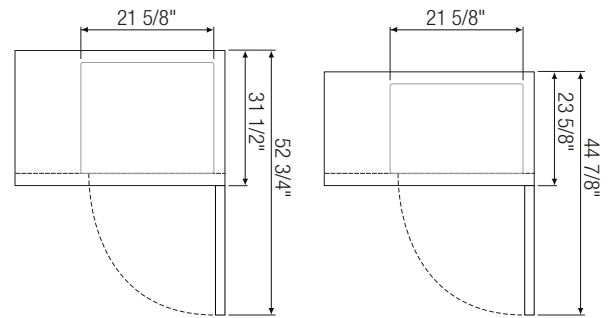
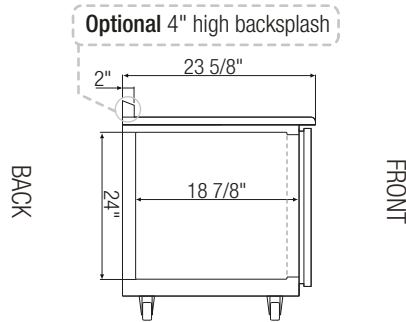


Equipped with 9 ft long NEMA 5-15P plug.

Side View



Side View (ETF1-24 / ETF2-24 only)



Model	Ref/ Frz/ Dual	# of Doors	Capacity (Cu. Ft.)	HP	BTU/HR †	Refrigerant	# of Shelves	Power (V-Hz-Ph)	Amps	Crated Weight (LBS)	Exterior Dimensions (Inches)		
											L	D	H*
ETF1	Frz	1	9	1/3	1,119	R290	2	115-60-1	3	218	35 5/8	31 1/2	29 1/4
ETF1-24	Frz	1	6	1/3	1,119	R290	2	115-60-1	3	149	35 5/8	23 5/8	29 1/4
ETF2	Frz	2	13	1/2	1,670	R290	4	115-60-1	5	270	47 1/2	31 1/2	29 1/4
ETF2-24	Frz	2	9	1/2	1,670	R290	4	115-60-1	5	184	47 1/2	23 5/8	29 1/4
ETWF2	Frz	2	18	1/2	1,670	R290	4	115-60-1	5	306	59 1/4	31 1/2	29 1/4
ETF3	Frz	3	22	1/2	1,670	R290	6	115-60-1	5	353	71 1/8	31 1/2	29 1/4

*: Height does not include 5" for casters.

†: Based on evaporating temperature of 14°F (-10°C) & condensing temperature of 131°F (55°C).

Frz = Freezer

Specifications subject to change without notice.

Product dimensions are for general purposes and not absolute value. Product capacity (↗) is calculated based on standard industry figures. Slight variations may exist. If dimensions and capacity are critical, please contact Everest Refrigeration.



Please visit our website for updated Energy Efficiency information.