

# DRAWERED PIZZA PREP. TABLES

## Side Mounted Condensing Unit

EPP - Series • EPPR1-D2 • EPPR2-D2 • EPPR2-D4 • EPPR3-D2 • EPPR3-D4



▲ EPPR1-D2



▲ EPPR2-D2



▲ EPPR2-D4



▲ EPPR3-D4

### Cabinet Construction

- Heavy duty stainless steel interior / exterior with rounded corners for a hazard-free workspace.
- Open spaced interior with no walls between cabinet compartments.
- Vented stainless steel panel between top pan area and cabinet catches food debris.
- 16 gauge, high quality stainless steel worktop, lid and hood.
- Galvanized steel bottom and rear.
- 2.5" thick high density polyurethane insulation.
- Four 5" swivel casters with locks on front set (six casters for models EPPR3-D2 and EPPR3-D4). Leg stabilizers standard for all models.

### Refrigeration System

- Side mounted, self-contained and fully detachable Blizzard R290 condensing unit uses environmentally friendly, EPA-compliant R290 refrigerant with zero (0) Ozone Depletion Potential (ODP) and three (3) Global Warming Potential (GWP). Blizzard R290 is easily replaceable and requires no on-site brazing.
- Electronically commutated (ECM) fan motors achieve rapid cooling with less energy consumption.
- Full-length air duct system ensures optimal circulation of cold air.
- Time-initiated and temperature-terminated auto defrost cycle for seamless operation.
- Large capacity, corrosion-resistant condenser and evaporator coils.
- Self-maintaining, energy-efficient condensate drain pan requires no external drains or electric heaters.
- High performance, auto-reverse condenser fan motor supports compressor ventilation and condenser coil cleaning. Refer to owner's manual for full maintenance instructions.
- Pressure relief devices allow smooth access to cabinet interior when re-opening doors.
- Pre-wired and ready to plug, 115V/60Hz/1Ph, NEMA 5-15P.

### Doors & Drawers

- Heavy duty stainless steel interior / exterior.
- 2.5" thick high density polyurethane insulation.
- Frame heaters prevent exterior moisture build up.
- Thick gauge, stainless steel drawer frames with low-friction ball bearings.
- Self-closing door with adjustable torsion system for a positive seal.
- Snap-in magnetic door and drawer gaskets make cleaning and replacement an easy process.
- High strength, recessed door and drawer handles.

### Preparation Area

- NSF certified polycarbonate 6" deep pans (see table for size and quantity).
- ½" thick, foam insulated lid keeps top pan area cold and prevents moisture build-up.
- 19 ¼" deep cutting board is removable for ease of cleaning.

### Shelving

- Epoxy coated, steel wire shelves for applicable models (see table for quantity).
- Height adjustable stainless steel clips.

### Temperature Control

- Multi-function digital controller with easy to read LED display.
- Factory preset temperature, 35°F. Temperature setting range from 33°F to 54°F.
- Audible overheat protection alarm for compressor and condenser coil.

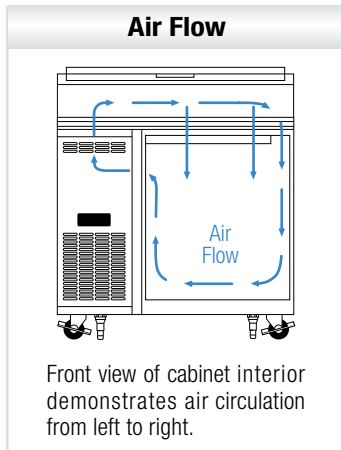
### Options

- NSF certified stainless steel double overshelf.
- Additional shelving.
- 3" swivel casters with locks.
- 3.5" – 6" height-adjustable and interchangeable legs.

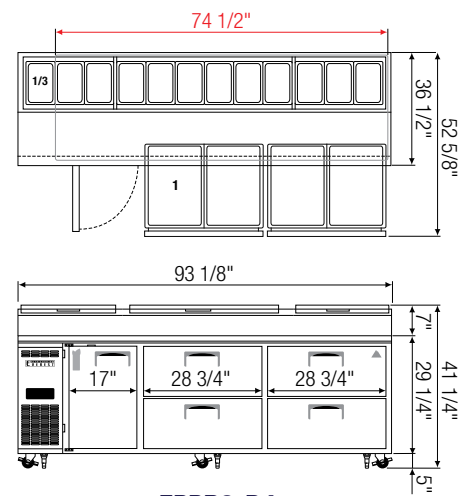
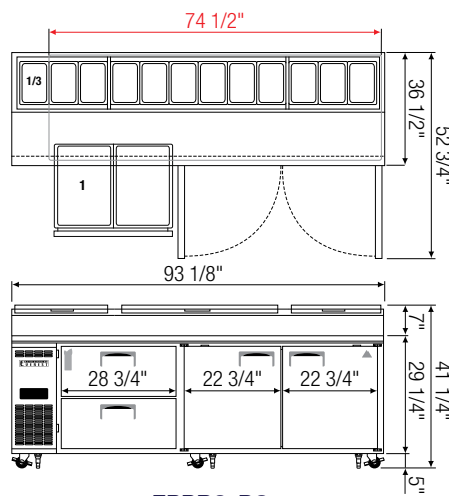
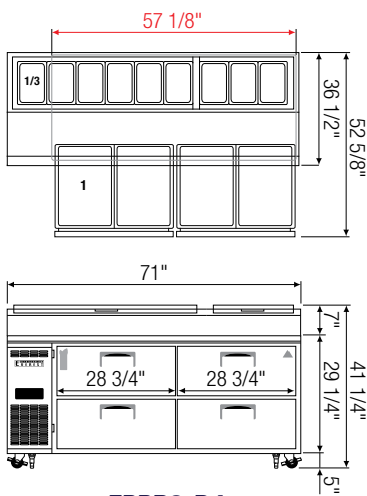
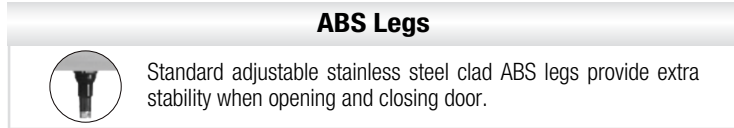
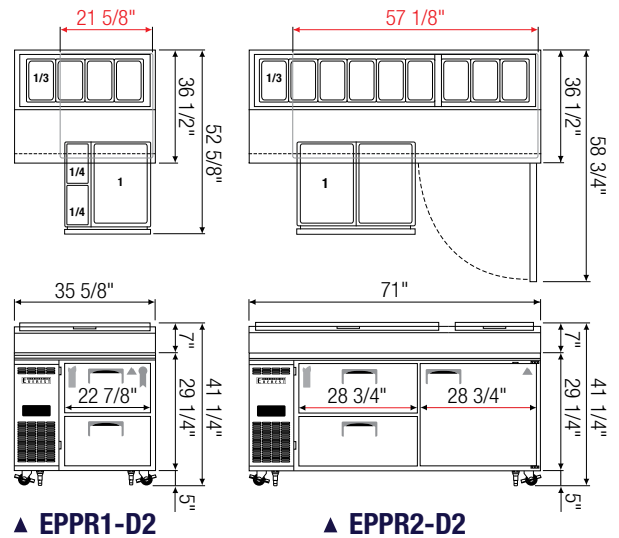
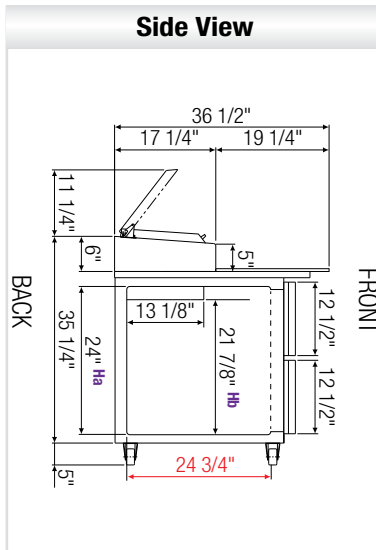


## Dimensions

↔ = Interior Dimensions    ↔ = Exterior Dimensions



⚡ Equipped with 9 ft long NEMA 5-15P plug.



Model	Ref/ Frz/ Dual	# of Doors	Capacity (Cu. Ft.)	HP	Refrigerant	# of Shelves	# of Pans (Top)	# of Pans (Drawer)	Power (V-Hz-Ph)	Amps	Crated Weight (LBS)	Exterior Dimensions (Inches)		
												L	D <sup>a</sup>	H*
EPPR1-D2	Ref	2(DR)	9	1/3	R290	N/A	1/3 X 4	1 x 2 1/4 x 4	115-60-1	2.5	314	35 5/8	36 1/2	36 1/4
EPPR2-D2	Ref	1(D) 2(DR)	23	1/3	R290	2	1/3 X 9	1 x 4	115-60-1	2.5	492	71	36 1/2	36 1/4
EPPR2-D4	Ref	4(DR)	23	1/3	R290	N/A	1/3 X 9	1 x 8	115-60-1	2.5	494	71	36 1/2	36 1/4
EPPR3-D2	Ref	2(D) 2(DR)	30	1/3	R290	4	1/3 X 12	1 x 4	115-60-1	2.5	649	93 1/8	36 1/2	36 1/4
EPPR3-D4	Ref	1(D) 4(DR)	30	1/3	R290	2	1/3 X 12	1 x 8	115-60-2	2.5	649	93 1/8	36 1/2	36 1/4

\*: Height does not include 5" for casters ; height includes top lid and handle.  
a : Depth includes 19 1/4" cutting board.  
† : Drawer pans are not included.

Ha, Hb : Interior Height

Ref = Refrigerator | (DR) = Drawer | (D) = Door

Specifications subject to change without notice.

Product dimensions are for general purposes and not absolute value. Product capacity ( ) is calculated based on standard industry figures. Slight variations may exist. If dimensions and capacity are critical, please contact Everest Refrigeration.



Please visit our website for updated Energy Efficiency information.