

Pizza Prep. Tables

SIDE MOUNTED CONDENSING UNIT

EPP SERIES



EPPR1



EPPSR2



EPPR2



EPPR3

Cabinet Construction

- Heavy duty stainless steel interior/exterior with rounded corners for a hazard-free workspace.
- Open spaced interior with no walls between cabinet compartments.
- Vented stainless steel panel between top pan area and cabinet catches food debris.
- 16 gauge, high quality stainless steel worktop, lid and hood.
- Galvanized steel bottom and rear.
- 2.5" thick high density polyurethane insulation.
- Four 5" swivel casters with locks on front set (six casters for model EPPR3). Leg stabilizers standard for all models.

Refrigeration System

- Side mounted, self-contained and fully detachable Blizzard R290 condensing unit uses environmentally friendly, EPA-compliant R290 refrigerant with zero (0) Ozone Depletion Potential (ODP) and three (3) Global Warming Potential (GWP). Blizzard R290 is easily replaceable and requires no on-site brazing.
- Electronically commutated (ECM) fan motors achieve rapid cooling with less energy consumption.
- Full-length air duct ensures optimal cold air circulation.
- Time-initiated and temperature-terminated auto defrost cycle for seamless operation.
- Large capacity, corrosion-resistant condenser and evaporator coils.
- Self-maintaining, energy-efficient condensate drain pan requires no external drains or electric heaters.
- High performance, auto-reverse condenser fan motor supports compressor ventilation and condenser coil cleaning.
- Pressure relief devices allow rapid cabinet re-entry.
- Pre-wired and ready to plug, 115V/60Hz/1Ph, NEMA 5-15P.

Doors

- Heavy duty stainless steel interior/exterior.
- 2.5" thick high density polyurethane insulation.
- Frame heaters prevent exterior moisture build up.
- Self-closing with adjustable torsion system for a positive seal.
- Snap-in magnetic gasket for ease of cleaning.
- High strength, recessed handles.

Preparation Area

- NSF certified polycarbonate 6" deep pans (see table for quantity).
- 1/2" thick, foam insulated lid keeps top pan area cold and prevents moisture build-up.
- 19 1/4" deep cutting board is removable for ease of cleaning.

Shelving

- Two epoxy coated, steel wire shelves per section.
- Height adjustable stainless steel clips.

Temperature Control


- Multi-function digital controller with easy to read LED display.
- Factory preset temperature, 35°F. Temp-set range from 33°F to 54°F.
- Audible overheat protection alarm for compressor and condenser coil.

Options


- NSF certified stainless steel double overshef.
- Additional shelving.
- 3" swivel casters with locks.
- 3.5"-6" height-adjustable and interchangeable legs.

← = Interior Dimensions ← → = Exterior Dimensions

ABS Legs

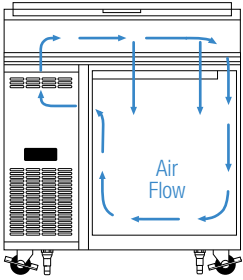


Two additional front adjustable stainless steel clad ABS legs provide extra stability when opening and closing doors, and three additional leg for EPPR3 for weight support.



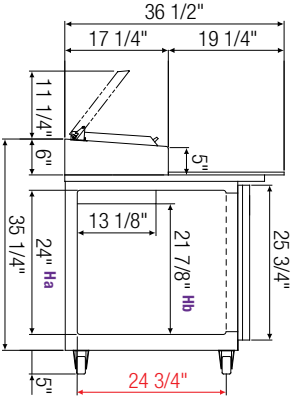
Equipped with 9 ft long NEMA 5-15P plug.

Air Flow



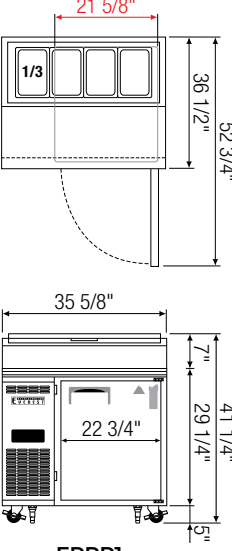
Front view of cabinet interior demonstrates air circulation from left to right.

Side View



BACK: 36 1/2" (top), 17 1/4" (cutting board), 19 1/4" (depth), 11 1/4" (height to top), 6" (height to bottom), 35 1/4" (total height), 24" Ha (interior height), 13 1/8" (interior depth), 21 7/8" Hb (interior height), 25 3/4" (total height), 5" (height to bottom), 24 3/4" (width).

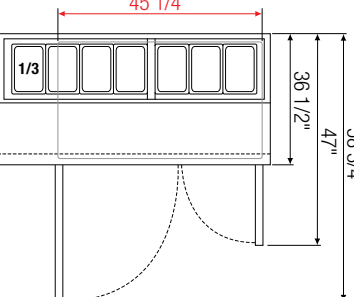
FRONT: 22 3/4" (door width)



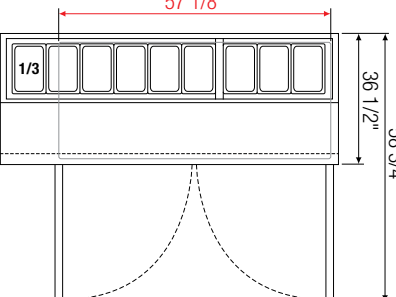
Top View: 21 5/8" (width), 36 1/2" (depth), 52 3/4" (total height).

Front View: 35 5/8" (width), 7" (height to top), 29 1/4" (height to bottom), 41 1/4" (total height), 5" (height to bottom).

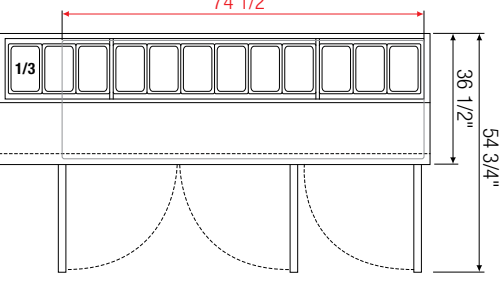
EPPR1



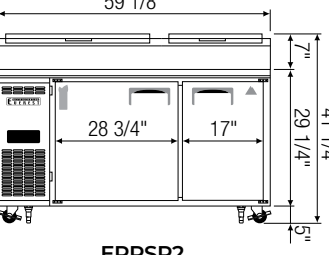
45 1/4" (width), 36 1/2" (depth), 47" (height to top), 58 3/4" (total height).



57 1/8" (width), 36 1/2" (depth), 58 3/4" (total height).

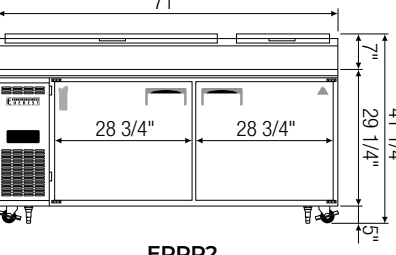


74 1/2" (width), 36 1/2" (depth), 54 3/4" (total height).



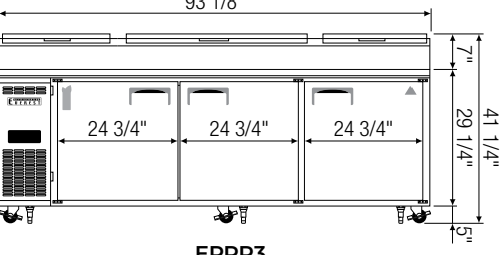
59 1/8" (width), 7" (height to top), 29 1/4" (height to bottom), 41 1/4" (total height), 28 3/4" (door width), 17" (door width).

EPPSR2



71" (width), 7" (height to top), 29 1/4" (height to bottom), 41 1/4" (total height), 28 3/4" (door width), 28 3/4" (door width).

EPPR2



93 1/8" (width), 7" (height to top), 29 1/4" (height to bottom), 41 1/4" (total height), 24 3/4" (door width), 24 3/4" (door width), 24 3/4" (door width).

EPPR3

Model	Ref/ Frz/ Dual	# of Doors	Capacity [†] (Cu. Ft.)	HP	Refrigerant	# of Shelves	# of Pans	Power (V-Hz-Ph)	Amps	Crated Weight (LBS)	Exterior Dimensions (Inches)		
											L	D ^a	H [*]
EPPR1	Ref	1	9	1/3	R290	2	1/3 X 4	115-60-1	2.5	295	35 5/8	36 1/2	36 1/4
EPPSR2	Ref	2	16	1/3	R290	4	1/3 X 7	115-60-1	2.5	399	59 1/8	36 1/2	36 1/4
EPPR2	Ref	2	23	1/3	R290	4	1/3 X 9	115-60-1	2.5	450	71	36 1/2	36 1/4
EPPR3	Ref	3	30	1/3	R290	6	1/3 X 12	115-60-1	2.5	665	93 1/8	36 1/2	36 1/4

* Height does not include 5" for casters; height includes top lid and handle.

^a Depth includes 19 1/4" cutting board.

Ha, Hb Interior Height

Specifications subject to change without notice.

Product dimensions are for general purposes and not absolute value. Product capacity (†) is calculated based on standard industry figures. Slight variations may exist. If dimensions and capacity are critical, please contact Everest Refrigeration.

Ref = Refrigerator