

# BACK MOUNT SANDWICH PREP TABLES

## Back Mounted Condensing Unit

EPBN - Series • EPBNR1 • EPBNSR2 • EPBNR2 • EPBNWR2 • EPBNR3



▲ EPBNR1



▲ EPBNSR2



▲ EPBNR2



▲ EPBNWR2



▲ EPBNR3

### Cabinet Construction

- Heavy duty stainless steel interior / exterior with rounded corners for a hazard-free workspace.
- 16 gauge, high quality stainless steel worktop, lid and hood.
- Galvanized steel bottom and rear.
- 2.5" thick high density polyurethane insulation.
- Four 5" swivel casters with locks on front set.

### Refrigeration System

- Back mounted, self-contained and fully detachable Blizzard R290 condensing unit uses environmentally friendly, EPA-compliant R290 refrigerant with zero (0) Ozone Depletion Potential (ODP) and three (3) Global Warming Potential (GWP). Blizzard R290 is easily replaceable and requires no on-site brazing.
- Front air breathing for flexibility in installation.
- Electronically commutated (ECM) fan motors achieve rapid cooling with less energy consumption.
- Full-length air duct system ensures optimal circulation of cold air.
- Time-initiated and temperature-terminated auto defrost cycle for seamless operation.
- Large capacity, corrosion-resistant condenser and evaporator coils.
- Self-maintaining, energy-efficient condensate drain pan requires no external drains or electric heaters.
- High performance, auto-reverse condenser fan motor supports compressor ventilation and condenser coil cleaning. Refer to owner's manual for full maintenance instructions.
- Pressure relief devices allow smooth access to cabinet interior when re-opening doors.
- Pre-wired and ready to plug, 115V/60Hz/1Ph, NEMA 5-15P.

### Doors

- Heavy duty stainless steel interior / exterior.
- 2.5" thick high density polyurethane insulation.
- Frame heaters prevent exterior moisture build up.
- Self-closing with adjustable torsion system for a positive seal.
- Snap-in magnetic door gasket make cleaning and replacement an easy process.
- High strength, recessed door handles.

### Preparation Area

- NSF certified polycarbonate 6" deep pans (see table for size and quantity).
- ½" thick, foam insulated lid keeps top pan area cold and prevents moisture build-up.
- 12 ¼" deep cutting board is removable for ease of cleaning.

### Shelving

- One epoxy coated, steel wire shelf per section.
- Height adjustable stainless steel clips.

### Temperature Control

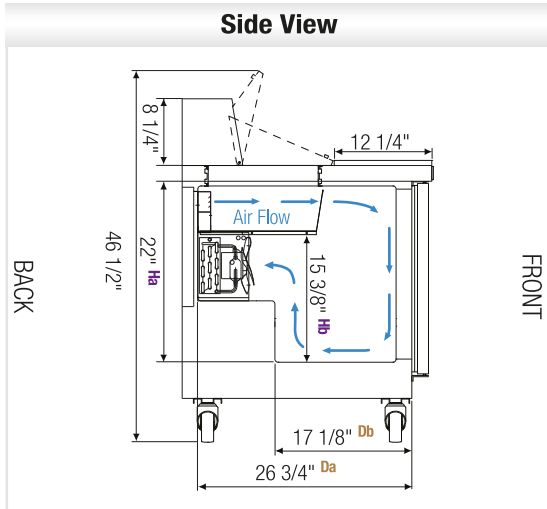
- Multi-function digital controller with easy to read LED display.
- Factory preset temperature, 35°F. Temperature setting range from 33°F to 54°F.
- Audible overheat protection alarm for compressor and condenser coil.

### Options

- NSF certified stainless steel double overshelf.
- Additional shelving.
- 3" swivel casters with locks.
- 3.5" – 6" height-adjustable and interchangeable legs.
- Left hinged door (applies to EPBNR1).

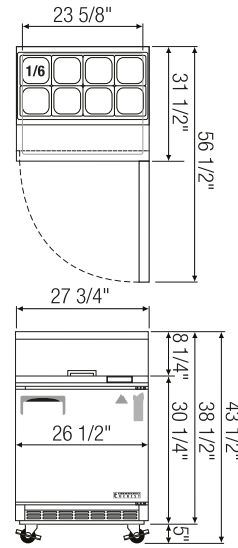


## Dimensions

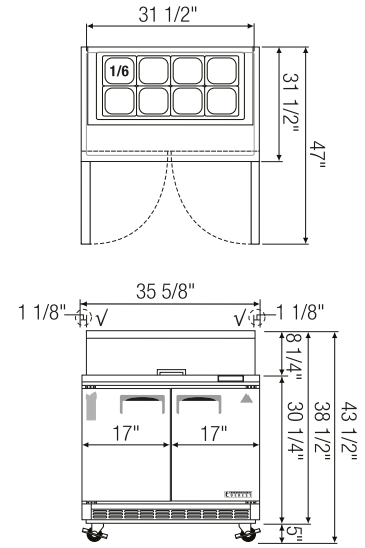


Equipped with 9 ft long NEMA 5-15P plug.

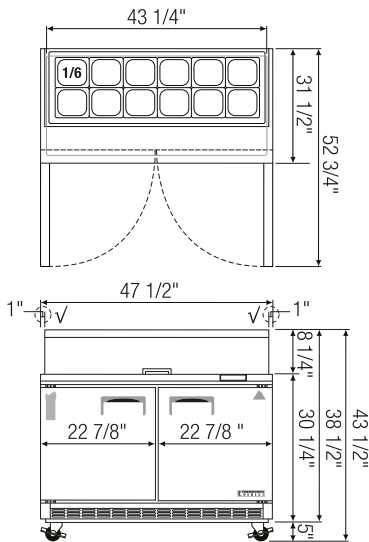
√ : Mounting space for oversheff.



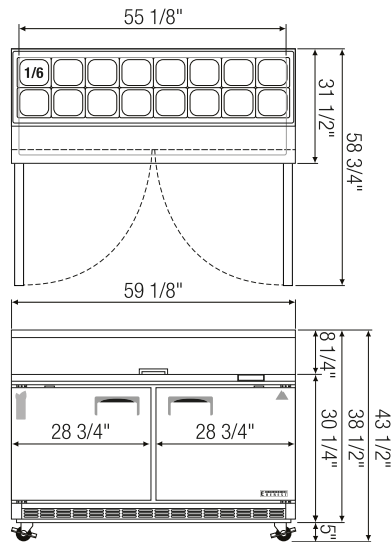
▲ EPBNR1



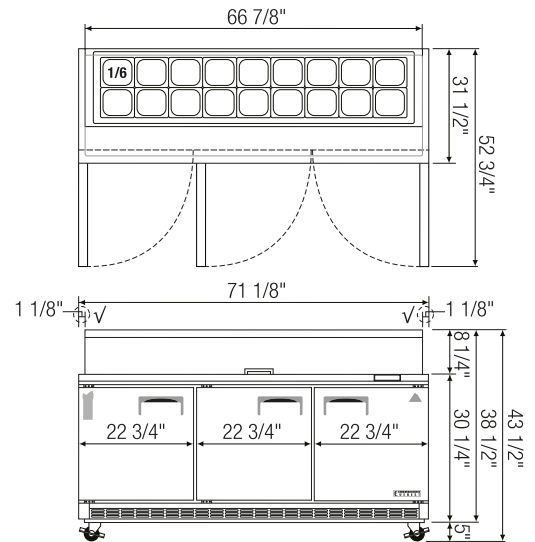
▲ EPBNSR2



▲ EPBNR2



▲ EPBNWR2



▲ EPBNR3

Model	Ref/ Frz/ Dual	# of Doors	Capacity (Cu. Ft.)	HP	Refrigerant	# of Shelves	# of Pans	Power (V-Hz-Ph)	Amps	Crated Weight (LBS)	Exterior Dimensions (Inches)		
											L	D <sup>a</sup>	H <sup>*</sup>
EPBNR1	Ref	1	8	1/5	R290	1	1/6 X 8	115-60-1	2.50	226	27 3/4	31 1/2	38 1/2
EPBNSR2	Ref	2	10	1/5	R290	2	1/6 X 8	115-60-1	2.50	268	35 5/8	31 1/2	38 1/2
EPBNR2	Ref	2	13	1/4+	R290	2	1/6 X 12	115-60-1	3.50	313	47 1/2	31 1/2	38 1/2
EPBNWR2	Ref	2	16	1/3	R290	2	1/6 X 16	115-60-1	2.50	382	59 1/8	31 1/2	38 1/2
EPBNR3	Ref	3	19	1/3	R290	3	1/6 X 18	115-60-1	2.50	426	71 1/8	31 1/2	38 1/2

\*: Height does not include 5" for casters.

a: Depth includes 12 1/4" cutting board.

Da, Db : Interior Depth Ha, Hb : Interior Height

Ref = Refrigerator

Specifications subject to change without notice.

Product dimensions are for general purposes and not absolute value. Product capacity ( ) is calculated based on standard industry figures. Slight variations may exist. If dimensions and capacity are critical, please contact Everest Refrigeration.



Please visit our website for updated Energy Efficiency information.