

Open Top Prep. Tables

BACK MOUNTED CONDENSING UNIT **EOTP SERIES**



EOTP1

EOTPS2



EOTPS2



EOTPW2



EOTPS3

Cabinet Construction

- Heavy duty stainless steel interior/exterior with rounded corners for a hazard-free workspace.
- Open spaced interior with no walls between cabinet compartments.
- Vented stainless steel panel between top pan area and cabinet catches food debris.
- 16 gauge, high quality stainless steel worktop and top lids.
- Galvanized steel bottom.
- 2.5" thick high density polyurethane insulation.
- Four 5" swivel casters with locks on front set.

Refrigeration System

- Back mounted, self-contained and fully detachable Blizzard R290 condensing unit uses environmentally friendly, EPA-compliant R290 refrigerant with zero (0) Ozone Depletion Potential (ODP) and three (3) Global Warming Potential (GWP). Blizzard R290 is easily replaceable and requires no on-site brazing.
- Front air breathing for flexibility in installation.
- Electronically commutated (ECM) fan motors achieve rapid cooling with less energy consumption.
- Full-length air duct ensures optimal cold air circulation.
- Time-initiated and temperature-terminated auto defrost cycle for seamless operation.
- Large capacity, corrosion-resistant condenser and evaporator coils.
- Self-maintaining, energy-efficient condensate drain pan requires no external drains or electric heaters.
- High performance, auto-reverse condenser fan motor supports compressor ventilation and condenser coil cleaning.
- Pressure relief devices allow rapid cabinet re-entry.
- Pre-wired and ready to plug, 115V/60Hz/1Ph, NEMA 5-15P.

Doors

- Heavy duty stainless steel interior/exterior.
- 2.5" thick high density polyurethane insulation.
- Frame heaters prevent exterior moisture build up.
- Self-closing with adjustable torsion system for a positive seal.
- Snap-in magnetic gasket for ease of cleaning.
- High strength, recessed handles.

Preparation Area

- Mega-top fits three rows of NSF certified polycarbonate 6" deep pans with lids (see table for quantity).
- Removable 1/2" thick, foam insulated lid keeps top pan area cold and prevents moisture build-up.

Shelving

- One epoxy coated, steel wire shelf per section.
- Height adjustable stainless steel clips.

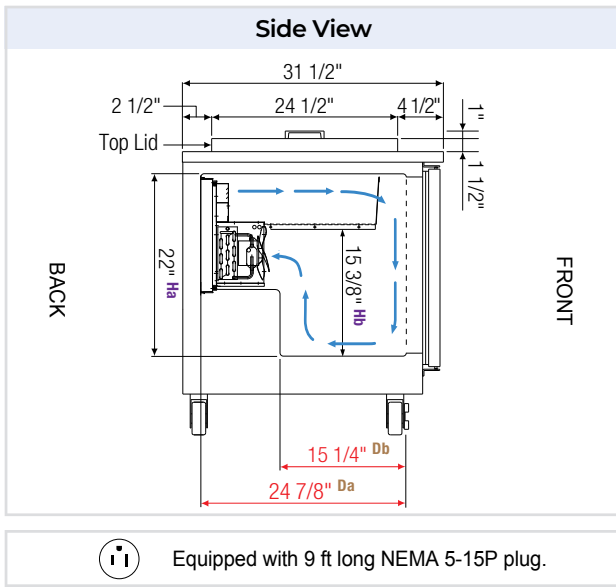
Temperature Control

- Multi-function digital controller with easy to read LED display.
- Factory preset temperature, 35°F. Temp-set range from 33°F to 54°F.
- Audible overheat protection alarm for compressor and condenser coil.

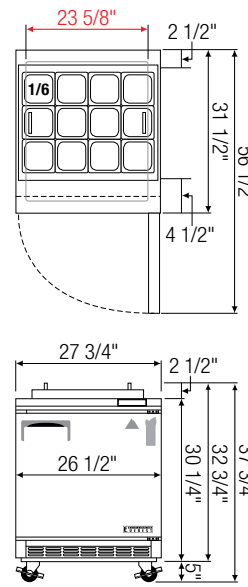
Options

- 9 1/8" deep, removable cutting board.
- Sneeze guard and tray slide (except EOTP1)
- NSF certified stainless steel double overshelf (except EOTP1).
- Additional shelving.
- 3" swivel casters with locks.
- 3.5"-6" height-adjustable and interchangeable legs.
- Left hinged door (applies to EOTP1).

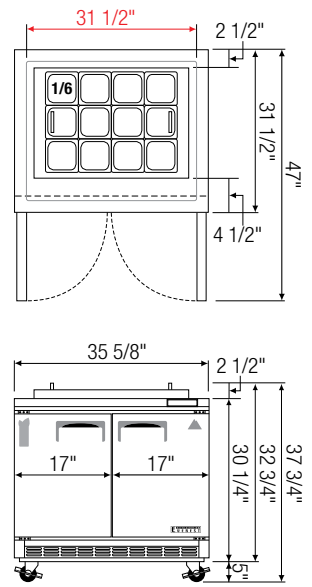
↔ = Interior Dimensions ↔ = Exterior Dimensions



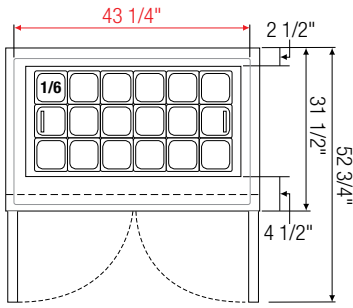
ⓘ Equipped with 9 ft long NEMA 5-15P plug.



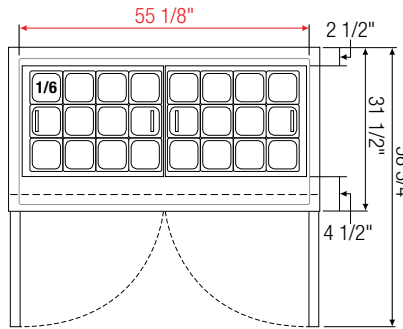
EOTP1



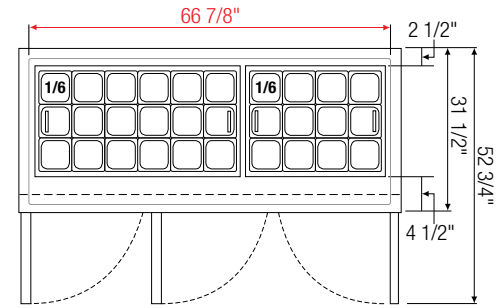
EOTPS2



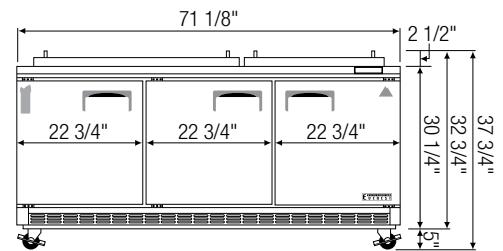
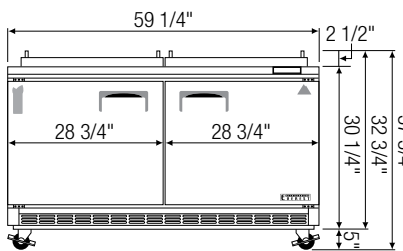
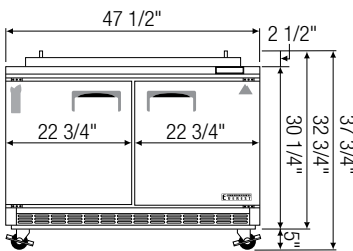
EOTP2



EOTPW2



EOTP3



Model	Ref/ Frz/ Dual	# of Doors	Capacity [†] (Cu. Ft.)	HP	Refrigerant	# of Shelves	# of Pans	Power (V-Hz-Ph)	Amps	Crated Weight (LBS)	Exterior Dimensions (Inches)		
											L	D	H*
EOTP1	Ref	1	8	1/5	R290	1	1/6 x 12	115-60-1	2.5	226	27 3/4	31 1/2	32 3/4
EOTPS2	Ref	2	10	1/5	R290	2	1/6 x 12	115-60-1	2.5	260	35 5/8	31 1/2	32 3/4
EOTP2	Ref	2	13	1/4+	R290	2	1/6 x 18	115-60-1	3.5	308	47 1/2	31 1/2	32 3/4
EOTPW2	Ref	2	16	1/3	R290	2	1/6 x 24	115-60-1	2.5	360	59 1/8	31 1/2	32 3/4
EOTP3	Ref	3	19	1/3	R290	3	1/6 x 30	115-60-1	3	424	71 1/8	31 1/2	32 3/4

* Height does not include 5" for casters, height includes top lid and handle.

Ref = Refrigerator

Da, Db Interior Depth Ha, Hb Interior Height

Specifications subject to change without notice.

Product dimensions are for general purposes and not absolute value. Product capacity (†) is calculated based on standard industry figures. Slight variations may exist. If dimensions and capacity are critical, please contact Everest Refrigeration.