

Glass Door Merchandiser Freezers

SWING DOORS

EM SERIES



EMGF23 | EMGF23B



EMGF36 | EMGF36B



EMGF48 | EMGF48B



EMGF69 | EMGF69B

Cabinet Construction

- White or black coated steel exterior. White coated interior.
- Open spaced interior with no walls between compartments.
- Stainless steel floor interior has rounded corners and detachable drain plug for ease of cleaning.
- 2.5" thick high density polyurethane insulation.
- Four 5" swivel casters with locks on front set (six casters for model EMGF69(B). Leg stabilizers standard for all models.

Refrigeration System

- Bottom mounted, self-contained and fully detachable Blizzard R290 condensing unit uses environmentally friendly, EPA-compliant R290 refrigerant with zero (0) Ozone Depletion Potential (ODP) and three (3) Global Warming Potential (GWP). Blizzard R290 is easily replaceable and requires no on-site brazing.
- Electronically commutated (ECM) fan motors achieve rapid cooling with less energy consumption.
- Full-length air duct and airflow guard ensure optimal cold air circulation.
- Air circulation guard keeps floor vents from obstruction.
- Time-initiated and temperature-terminated auto defrost heater.
- Large capacity, corrosion-resistant condenser and evaporator coils.
- Self-maintaining, energy-efficient condensate drain pan requires no external drains or electric heaters.
- High performance, auto-reverse condenser fan motor supports compressor ventilation and condenser coil cleaning.
- Pressure relief devices allow rapid cabinet re-entry.
- Pre-wired and ready to plug, 115V/60Hz/1Ph, (NEMA 5-15P for model EMGF23(B), NEMA 5-20P for models EMGF36(B), EMGF48(B) and EMGF69(B).

Lighting

- Shielded LED bar lighting with on/off switch provides bright, high color illumination at lower heat output.

Doors

- Low emissivity double glass panes reflect UV rays for efficient cooling.
- Matte finish aluminum frames.
- Frame heaters prevent exterior moisture build up.
- Defroster strips keep glass planes clear and fog-free.
- Self-closing with adjustable torsion system for a positive seal.
- Snap-in magnetic gasket for ease of cleaning.
- High strength, die-cast handles.
- Pre-installed locks keep your items safe from theft.

Shelving

- Four epoxy coated, steel wire shelves with airflow guard per section.
- Height adjustable stainless steel clips.

Temperature Control

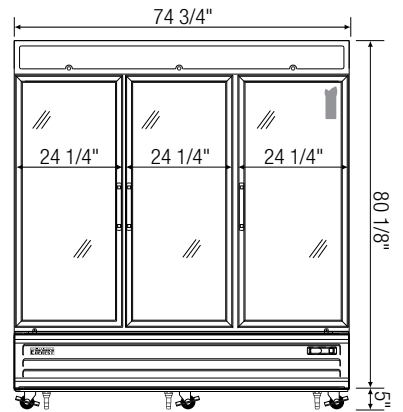
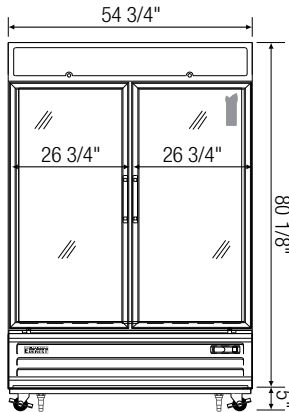
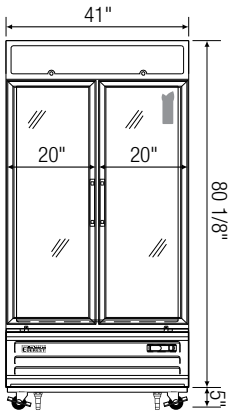
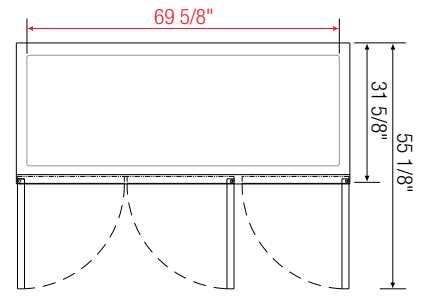
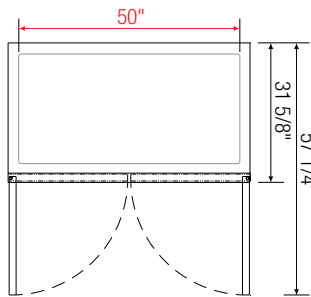
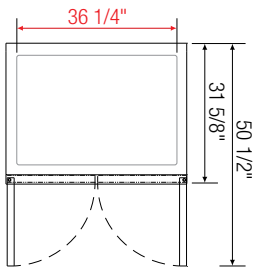
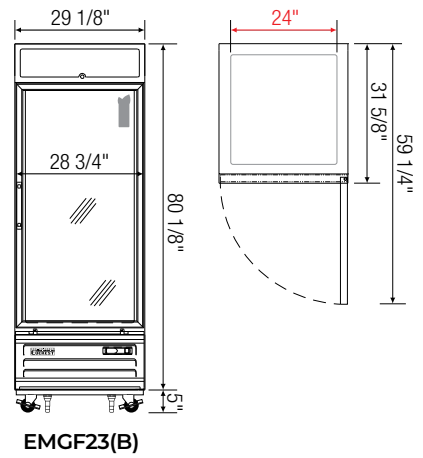
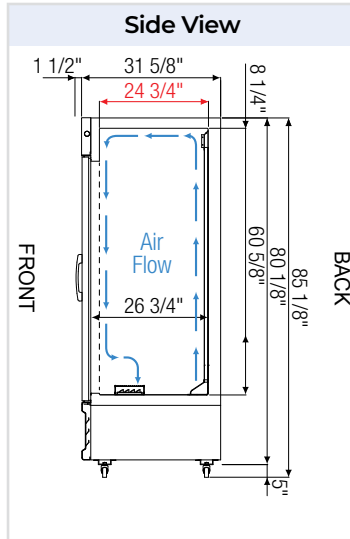
- Multi-function digital controller with easy to read LED display.
- Factory preset temperature, -4°F. Temp-set range from -10°F to 54°F.

Options

- Additional shelving.
- 3" swivel casters with locks.
- 3.5"-6" height-adjustable and interchangeable legs.
- Left hinged door (for model EMGF23(B).

↔ = Interior Dimensions ↔ = Exterior Dimensions

- ABS Legs**
- Additional front adjustable stainless steel clad ABS legs provide extra stability when opening and closing doors.
- Equipped with 9 ft long NEMA 5-15P plug. (model EMGF23(B))
- Equipped with 9 ft long NEMA 5-20P plug. (model EMGF36(B), EMGF48(B) and EMGF69(B))



EMGF36(B)

EMGF48(B)

EMGF69(B)

Model	Ref/ Frz/ Dual	# of Doors	Capacity† (Cu. Ft.)	HP	BTU/HR †	Refrigerant	# of Shelves	Power (V-Hz-Ph)	Amps	Crated Weight (LBS)	Exterior Dimensions (Inches)		
											L	D ^a	H*
EMGF23(B)	Frz	1	23	1	4036	R290	4	115-60-1	6.5	419	29 1/8	31 5/8	80 1/8
EMGF36(B)	Frz	2	36	1- 1/4	5441	R290	8	115-60-1	9.1	592	41	31 5/8	80 1/8
EMGF48(B)	Frz	2	48	1 x 2	4,036 x 2	R290	8	115-60-1	13	771	54 3/4	31 5/8	80 1/8
EMGF69(B)	Frz	3	69	1-1/4 x 2	5,441 x 2	R290	12	115-60-1	16	1125	74 3/4	31 5/8	80 1/8

* Height does not include 5" for casters.

† Based on evaporating temperature of -4°F (-20°C) & condensing temperature of 131°F (55°C).

^a Exterior depth dimension does not include 1-1/2" for door handles.

Specifications subject to change without notice.

Product dimensions are for general purposes and not absolute value. Product capacity (†) is calculated based on standard industry figures. Slight variations may exist. If dimensions and capacity are critical, please contact Everest Refrigeration.

Frz = Freezer