

# BACK BAR & DIRECT DRAW KEG REFRIGERATORS

**EBD - Series** • EBD2-BB • EBD2-BBG • EBD3-BB • EBD3-BBG



▲ EBD2-BB



▲ EBD2-BBG



▲ EBD3-BB



▲ EBD3-BBG

## Cabinet Construction

- Heavy duty stainless steel countertop with textured laminate, black vinyl exterior.
- Galvanized steel interior walls and high quality stainless steel floor.
- 1 3/4" thick high density polyurethane insulation.
- Built-in caster thread receptacles for all models.

## Refrigeration System

- Side mounted, self-contained and fully detachable Blizzard R290 condensing unit uses environmentally friendly, EPA-compliant R290 refrigerant with zero (0) Ozone Depletion Potential (ODP) and three (3) Global Warming Potential (GWP). Blizzard R290 is easily replaceable and requires no on-site brazing.
- Electronically commutated (ECM) fan motors achieve rapid cooling with less energy consumption.
- Full-length air duct system ensures optimal circulation of cold air.
- Time-initiated and temperature-terminated auto defrost cycle for seamless operation.
- Large capacity, corrosion-resistant condenser and evaporator coils.
- Self-maintaining, energy-efficient condensate drain pan requires no external drains or electric heaters.
- High performance, auto-reverse condenser fan motor supports compressor ventilation and condenser coil cleaning. Refer to owner's manual for full maintenance instructions.
- Pre-wired and ready to plug, 115V/60Hz/1Ph, NEMA 5-15P.

## Lighting

- Shielded LED bar lighting with on/off switch provides bright, high color illumination at lower heat output.

## Doors

- Textured laminate, black vinyl exterior with galvanized steel interior and 1 3/4" thick high density polyurethane insulation for solid doors. Black PVC frames with low emissivity double glass panes for glass doors.
- Snap-in magnetic door gasket make cleaning and replacement an easy process.
- High strength, recessed door handles for solid doors. High strength, die-cast door handles for glass doors.
- Pre-installed door locks keep your items safe from theft.

## Draft Arms

- NSF certified, 3" diameter insulated stainless steel draft arm with single faucet and matching air distributor.

## Shelving

- Two epoxy coated, steel wire shelves.
- Height adjustable stainless steel clips.

## Temperature Control

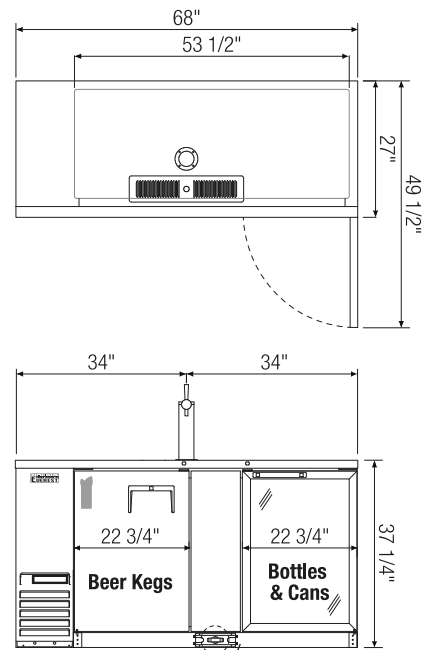
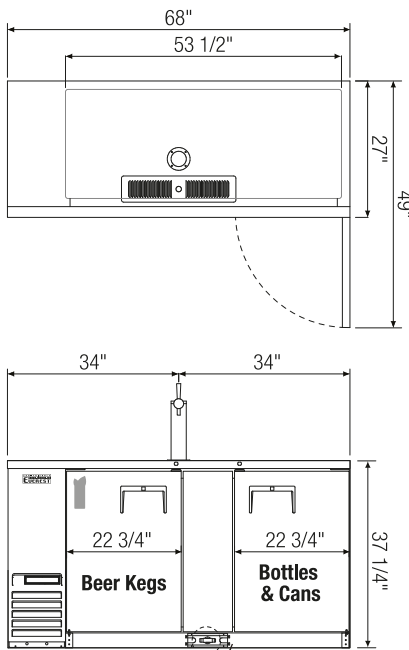
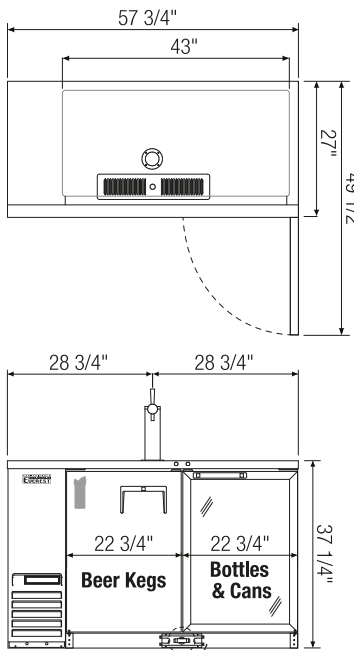
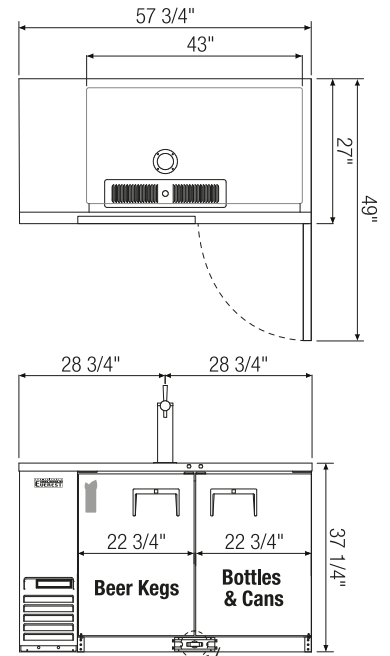
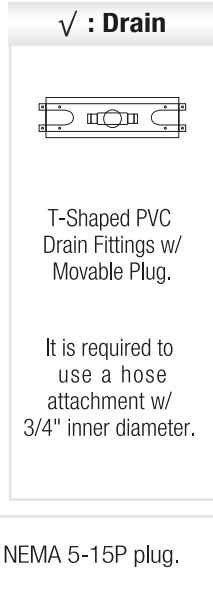
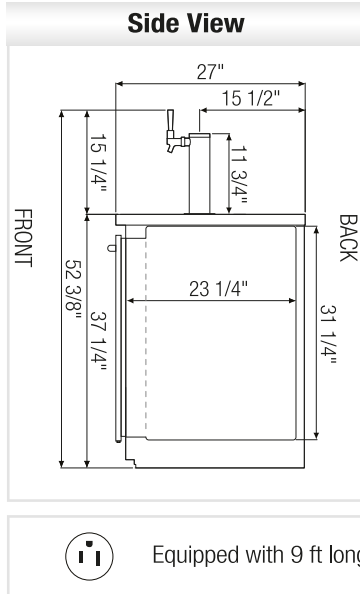
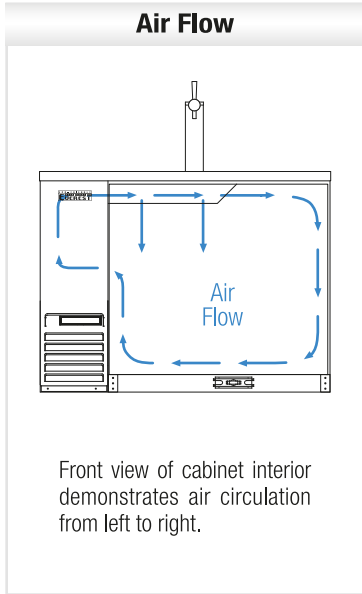
- Multi-function digital controller with easy to read LED display.
- Factory preset temperature, 35°F.
- Temperature setting range from 33°F to 54°F.
- Audible overheat protection alarm for compressor and condenser coil.

## Options

- Dual faucet draft arms and matching air distributors.
- Additional shelving.
- 3" or 5" swivel casters with locks.
- 3.5" – 6" height-adjustable and interchangeable legs.



# Dimensions



▲ EBD2-BBG

▲ EBD3-BB

▲ EBD3-BBG

Model	Ref/ Frz/ Dual	# of Doors	Capacity & Size of Barrels	Capacity (Cu. Ft.)	HP	Capacity		Refrigerant	# of Shelves	Power (V-Hz-Ph)	Amps	Crated Weight (LBS)	Exterior Dimensions (Inches)		
						12 oz. Cans	12 oz. Bottles						L	D	H
EBD2-BB	Ref	2 (SD)	(1) 1/2	20	1/4+	280	192	R-290	2	115-60-1	3.5	287	57 3/4	27	37 1/4
EBD2-BBG	Ref	1 (SD) 1 (GD)	(1) 1/2	20	1/4+	280	192	R-290	2	115-60-1	3.5	304	57 3/4	27*	37 1/4
EBD3-BB	Ref	2 (SD)	(1) 1/2 (1) 1/4-Slim	24	1/4+	360	240	R-290	2	115-60-1	3.5	327	68	27	37 1/4
EBD3-BBG	Ref	1 (SD) 1 (GD)	(1) 1/2 (1) 1/4-Slim	24	1/4+	360	240	R-290	2	115-60-1	3.5	344	68	27*	37 1/4

\*: Depth does not include protruding door handles.

Ref = Refrigerator | (SD) = Solid Door | (GD) = Glass Door

Specifications subject to change without notice.

Product dimensions are for general purposes and not absolute value. Product capacity (▲) is calculated based on standard industry figures. Slight variations may exist. If dimensions and capacity are critical, please contact Everest Refrigeration.



Please visit our website for updated Energy Efficiency information.