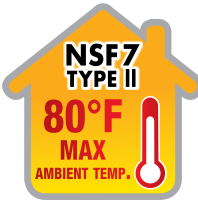


OPEN AIR MERCHANDISERS

Horizontal / 35" Deep / Short

EOMH - Series

- EOMH-36-W-35-S • EOMH-36-B-35-S • EOMH-48-W-35-S • EOMH-48-B-35-S
- EOMH-60-W-35-S • EOMH-60-B-35-S • EOMH-72-W-35-S • EOMH-72-B-35-S



▲ EOMH-36-W-35-S



▲ EOMH-36-B-35-S



▲ EOMH-48-W-35-S



▲ EOMH-48-B-35-S



▲ EOMH-60-W-35-S



▲ EOMH-60-B-35-S



▲ EOMH-72-W-35-S



▲ EOMH-72-B-35-S

Cabinet Construction

- Black or white modern exterior has moisture-resistant panels and field-replaceable tempered glass.
- Heavy-duty stainless steel interior has perforated back wall for efficient air flow. Includes floor drains for ease of cleaning.
- Galvanized steel top, bottom and rear.
- 2.5" thick high-density polyurethane insulation.
- Integrated retractable night curtain saves energy and provides security.
- 5" swivel casters with locks on front set. Leg stabilizers standard for all models.

Refrigeration System

- Bottom mounted, self-contained and fully detachable Blizzard R290 condensing unit uses environmentally friendly, EPA-compliant R290 refrigerant with zero (0) Ozone Depletion Potential (ODP) and three (3) Global Warming Potential (GWP). Blizzard R290 is easily replaceable and requires no on-site brazing.
- Front air intake and rear air discharge design allows side by side installation.
- Conforms to **NSF Standard 7 TYPE II (maximum ambient temperature 80°F)**.
- Electronically commutated (ECM) evaporator fan motors achieve rapid cooling with less energy consumption.
- High performance, auto-reverse condenser fan motor supports compressor ventilation and condenser coil cleaning. Refer to owner's manual for full maintenance instructions.
- Large capacity, corrosion-resistant condenser and evaporator coils.
- Self-maintaining, energy-efficient condensate drain pan requires no external drains or electric heaters.
- Pre-wired and ready to plug, 115V/60Hz/1Ph, NEMA 5-15P.

Lighting

- Shielded LED bar lighting under shelves and canopy provide bright, high color illumination at lower heat output. On/off switch saves energy.

Shelving

- Removable 2-tier stainless steel shelf riser.

Temperature Control

- Factory preset temperature of 35°F maintains a combined average product temperature of 40°F or less.
- Audible overheat protection alarm for compressor and condenser coil.

Recommended Operating Conditions

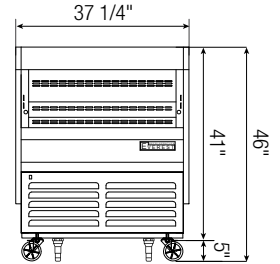
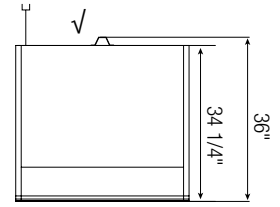
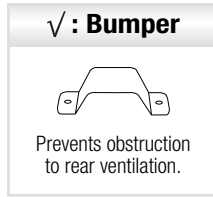
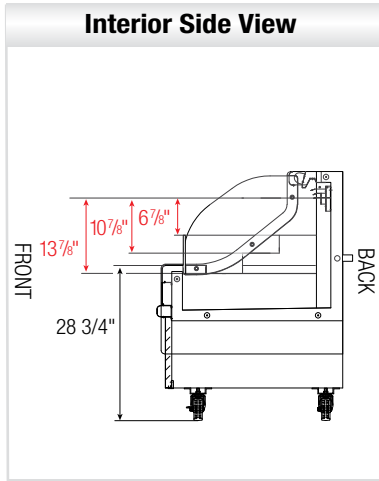
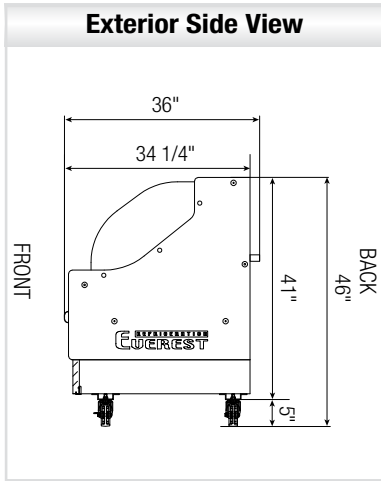
- **Conforms to NSF standard 7 TYPE II designed to operate in an air-conditioned environment where temperature and humidity do not exceed 80°F and 55% relative humidity.**
- Must not be installed near ventilation systems, fans or exterior doors or windows that will disrupt the air curtain and compromise the function of the cabinet.
- Must not be installed in direct sunlight.
- In built-in applications, a distance of 6" is required on the front, back and top exterior for ventilation purposes.



5 YEAR Compressor
2 YEAR Parts & Labor

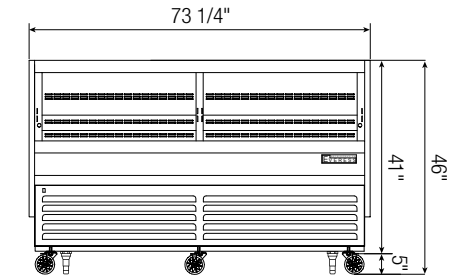
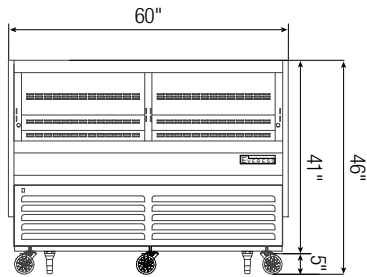
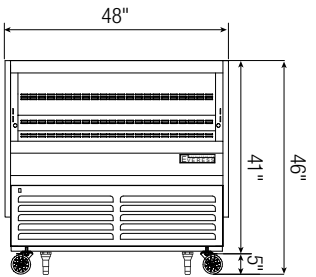
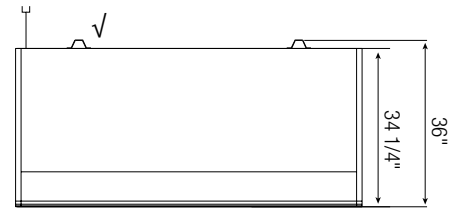
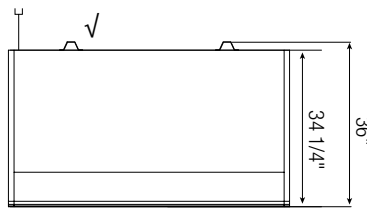
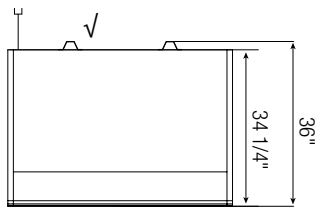
Dimensions

↔ = Interior Dimensions ↔ = Exterior Dimensions



⏏ : Power Cord ⚡ : 5-20P Equipped with 9 ft long NEMA 5-20P

▲ EOMH-36-W(B)-35-S



▲ EOMH-48-W(B)-35-S

▲ EOMH-60-W(B)-35-S

▲ EOMH-72-W(B)-35-S

Model	Ref/ Frz/ Dual	Capacity (Cu. Ft.)	HP	Refrigerant	# of Shelves	Power (V-Hz-Ph)	Amps	NEMA Config.	Exterior Dimensions (Inches)		
									L	D	H*
EOMH-36-W(B)-35-S	Ref	5.6	1/2	R290	0	115-60-1	7.03	5-20P	37 1/4	34 1/4	41
EOMH-48-W(B)-35-S	Ref	7.3	1/2x2	R290	0	115-60-1	10.6	5-20P	48	34 1/4	41
EOMH-60-W(B)-35-S	Ref	9.3	1/2x2	R290	0	115-60-1	11	5-20P	60	34 1/4	41
EOMH-72-W(B)-35-S	Ref	11.4	3/4x2	R290	0	115-60-1	13.2	5-20P	73 1/4	34 1/4	41

* : Height does not include 5" for casters.

Ref = Refrigerator

Specifications subject to change without notice.

Product dimensions are for general purposes and not absolute value. Product capacity (▲) is calculated based on standard industry figures. Slight variations may exist. If dimensions and capacity are critical, please contact Everest Refrigeration.



Please visit our website for updated Energy Efficiency information.